

## Handling System for Rack Type Loading Dishwashing Driven 180° Curve - Counterclockwise direction

ITEM # \_\_\_\_\_

MODEL # \_\_\_\_\_

NAME # \_\_\_\_\_

SIS # \_\_\_\_\_

AIA # \_\_\_\_\_


**865459 (HSLC180CC)**

 Loading curve Unit, 180°,  
 Dishwasher driven, anti-  
 clockwise

### Short Form Specification

**Item No.** \_\_\_\_\_

Constructed in 304 AISI stainless steel. Basin with sloping bottom and drain. Feeding bar. It is driven by the dishwasher. Square 40x40mm tubular leg on height-adjustable feet. Designed for 500x500mm dishwashing baskets. Mounted delivery. Basket feed direction: counterclockwise. Adapted for connection to mobile roller conveyors.

### Main Features

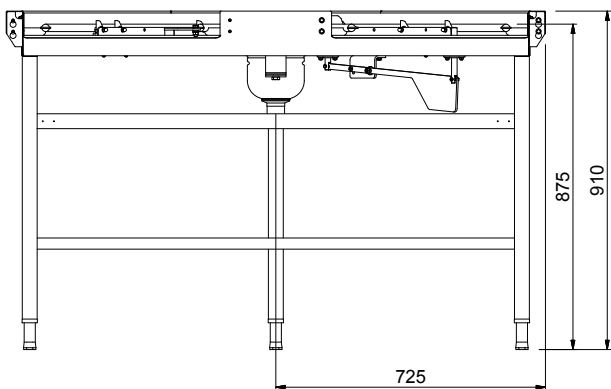
- Designed to transport 500x500 mm dishwashing baskets.
- "Key holes" and "snap on" system reduces the number of screws needed for fast and easy installation.
- The curve is driven by the dishwasher as the feeding arm in the curve will be connected with the conveyor of the dishwasher.
- Available counterclockwise direction for loading area.
- Drive system on the underside of the unit to ease basin surface access.
- 45° cut corner to reduce space usage.
- "Click-in" function to be easily combined with the mobile roller conveyor.
- Dishwasher's 180° driven curve is intended for installation between a rack type dishwasher and a mobile roller conveyor.
- Basket movement underneath for improved safety.

### Construction

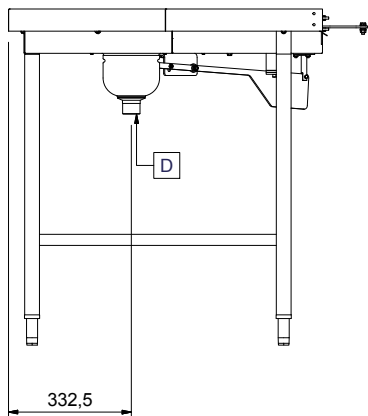
- All surfaces smooth with polished finish.
- AISI 304 1,2mm stainless steel basin.
- 40x40mm stainless steel tubular and square legs.
- Thick welded flanges for sturdy connection between the units.
- Sloping bottom of the table grants a smooth and rapid drainage.
- Three legs included.
- Stainless steel feet 50 mm adjustable in height to align the operation height between the dishwasher and table.

**APPROVAL:** \_\_\_\_\_

Front

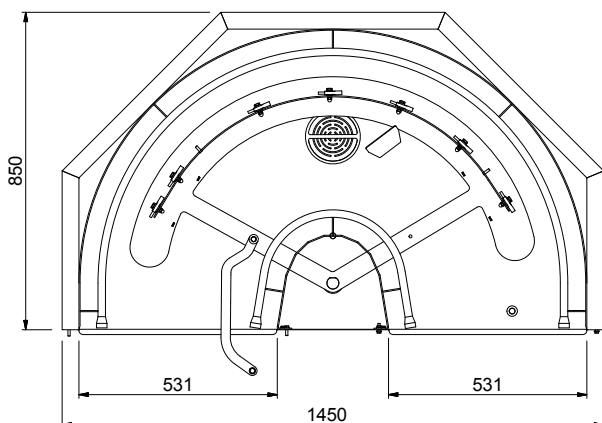


Side



D = Drain

Top


**Key Information:**

<b>External dimensions, Width:</b>	
865459 (HSLC180CC)	1450 mm
<b>External dimensions, Depth:</b>	850 mm
<b>External dimensions, Height:</b>	910 mm
<b>Net weight:</b>	40 kg
<b>Height adjustment:</b>	50/50 mm
<b>Position to dishwasher:</b>	Loading
<b>Basin material:</b>	Stainless Steel AISI 304 - EN 1.4301